

REDWALL Laser Scan Detector

## RLS-3060L



The REDSCAN RLS-3060 is an innovative laser scan detector. It can detect a moving object's size, speed, and distance from the detector and process that information with a unique algorithm, which results in hi-reliability detection of people with minimal false alarms.

When vertical detection area is selected, it creates a maximum 60m (200ft.) detection area that functions like an invisible wall. When horizontal detection area is selected, it creates a detection area with a radius of maximum 30m (100ft.) and an arc of 190°.

The RLS-3060L is a low cost, high performance advanced intrusion device with four adjustable detection zones and linked outputs for PTZ camera control. It brings detection solutions for: fence line, building protection, rooftop, and narrow boundary zone with simplified controls for easy set up.

### FEATURES

- 30m radius for 190 degrees range
- Vertical and horizontal mounting
- Unique detection algorithm
- Form C master alarm output
- Automatic area setting function
- Environmental disqualification circuit
- Anti-rotation function
- Anti-masking function
- 4 independently adjustable detection areas and 4 linked outputs for PTZ camera control (on Analog connection and IP connection)
- Fog cancellation algorithm (Patent listed)
- Trouble output
- Tamper output
- Analog (Dry contact) & IP connection
- Environmental resistance function
- Non detection area adjustment
- Scene selection (Outdoor and Indoor)

### OPTIONS

- RLS-AT Redscan adjustment tool kit (Including REDSCAN MANAGER Setup software and LAC-1 Laser area checker)
- RLS-PB Pole mount bracket
- RLS-SB Adjustable angle mounting bracket
- AWT-3 Audible walk tester

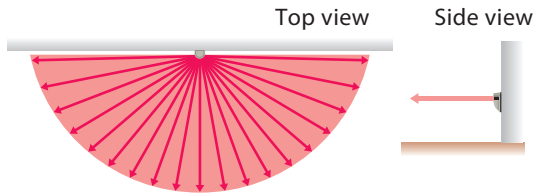
### SPECIFICATIONS

Model	RLS-3060L	
Detection method	Infrared Laser Scan	
Laser protection class	Class 1	
Coverage	Vertical area	Max. 60 m (Approx. 200 ft.) at 10% reflectivity
	Horizontal area	Radius:30m (Approx. 100 ft.), Arc:190° at 10% reflectivity
Detection resolution	0.25°	
Communication port	Ethernet ,RJ-45 ,10BASE-T/100BASE-TX	
Protocol	UDP, TCP/IP *Redwall Event Code	
Power input	24 VDC 24 VAC	
Current draw	400mA max. (24VDC) 600mA max. (24VAC)	
Mounting height	Vertical area	15m (50ft.) max.
	Horizontal area	0.7m (28in.) (recommended)
Target object selector	S / M / L	
Sensitivity selector	H / M / L	
Camera control output	N.O. 28 VDC, 0.2 A x 4 outputs	
Master alarm output	Form C, 28 VDC, 0.2 A max.	
Trouble output	Form C, 28 VDC, 0.2 A max.	
Tamper output	N.C. 28 VDC, 0.1 A max.	
Environmental disqualification circuit	Form C, 28 VDC, 0.2 A max.	
Alarm period	Approx. 2 sec., Off delay timer	
Operating temperature	-20 to 60 °C (-4 to 140 °F)	
IP rating	IP66	
Dimensions (H x W x D)	334 x 144 x 155 mm (13.2 x 5.7 x 6.1 in.)	
Weight	2.4kg (85 oz.)	

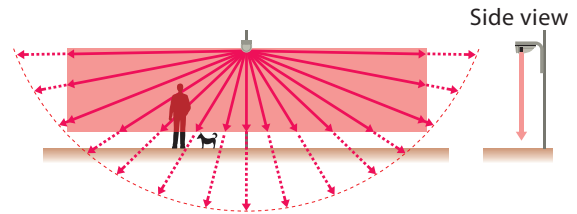
\* Specifications and design are subject to change without prior notice.

**DETECTION AREAS**

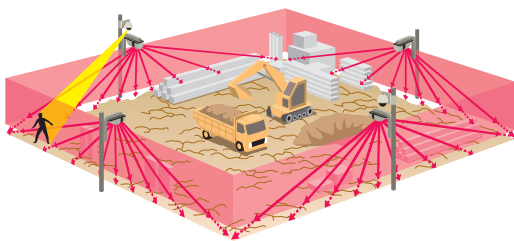
■ Image of horizontal detection area



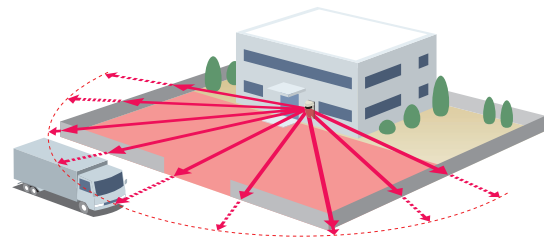
■ Image of horizontal detection area



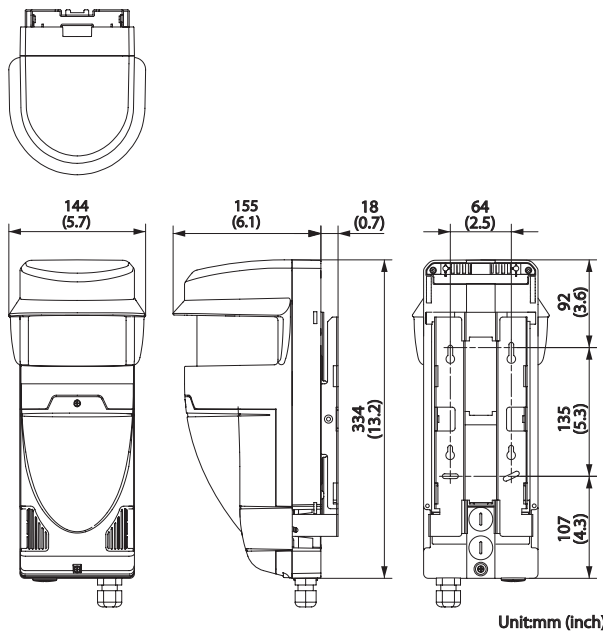
■ Vertical detection area example



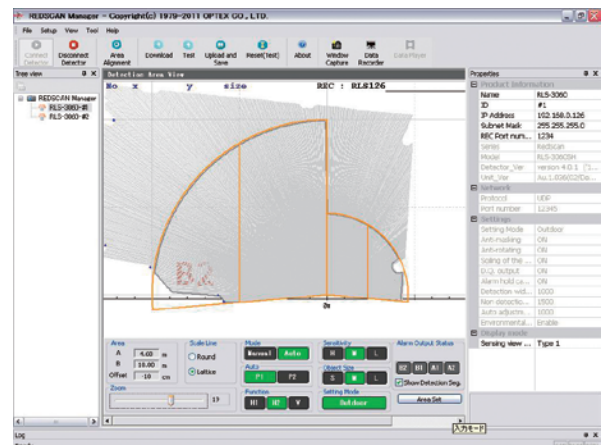
■ Horizontal detection area example



**DIMENSIONS**



**REDFSCAN MANAGER** (Optional software, but needed to set-up)



OPTEX CO., LTD.  
(JAPAN)  
(ISO 9001 Certified)  
(ISO 14001 Certified)  
5-8-12 Ogoto  
Otsu, Shiga, 520-0101  
Japan  
Tel: +81-77-579-8030  
Fax: +81-77-579-7190  
URL: <http://www.optex.co.jp/e>

OPTEX INCORPORATED  
(USA)  
13661 Benson Ave.  
Bldg. C, Chino CA 91710  
U.S.A.  
Tel: +1-909-993-5770  
Fax: +1-909-628-5560  
URL: <http://www.optexamerica.com>

OPTEX (EUROPE) LTD.  
(UK)  
(ISO 9001 Certified)  
Clivemont Road, Maidenhead,  
Berkshire, SL6 7BU  
UK  
Tel: +44-1628-631000  
Fax: +44-1628-636311  
URL: <http://www.optexeurope.com>

OPTEX SECURITY SAS  
(FRANCE)  
475 Rue Monique et Mario Plani  
69480 Ambérieux d'Azergues  
France  
Tel: +33 437 55 50 50  
Fax: +33 437 55 50 59  
URL: <http://www.optex-security.com>

OPTEX SECURITY Sp.z o.o.  
(POLAND)  
ul. Bitwy Warszawskiej 1920 r.  
78, 02-366 Warszawa,  
Poland  
Tel: +48-22-598-06-60  
Fax: +48-22-598-06-61